



## Ditec DAB105

Smart automation  
to make your life easier

EN

# VERS ATILE

## Performance

Powerful and compact operator capable of satisfying the needs of high traffic doors, and also special requirements for emergency exits and fire doors, in complete compliance with most of European regulations.



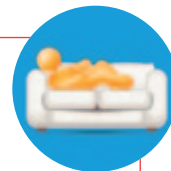
## Convenient & flexible

Modern buildings require applications that are flexible and adaptable to any need: Ditec DAB105 meets these requirements. The upgrade cards offer additional features and advanced functions, which allow to customise the automation.



## Safe & reliable

Safe and convenient access without barriers, in compliance with the strict requirements of public sector, also thanks to its Low Energy mode. In addition, Ditec DAB105 can be activated through buttons, sensors or the PUSH&GO function.



# Ditec DAB105



Ditec DAB105 ensures access without barriers and ease of operation.  
Discover the features that make it unique

## Performance

- High performance with up to 200 kg door weight and mechanical servo-assisted operator, encoder controlled
- Reliable operator: strong components and real time self monitoring of the operator status
- Safety guaranteed by technological features, opening control system, and motion-detection safety signal
- Very low noise level
- Many additional advanced features make Ditec DAB105 a best in class product

## Convenient & flexible

- Easy installation, set-up and maintenance in the available PUSH and PULL versions
- Easy program selection to expand functions (with a card) if necessary
- One operator matches specific installation requirements (double leaf doors, installations in presence of wind, key controlled access)
- Easy to order: 1 item alone includes operator + cover (just add arm)
- Power assisted: the entire opening operation is carried out by low, motor assisted power making it an ideal solution for users with or without disabilities

## Safe & reliable

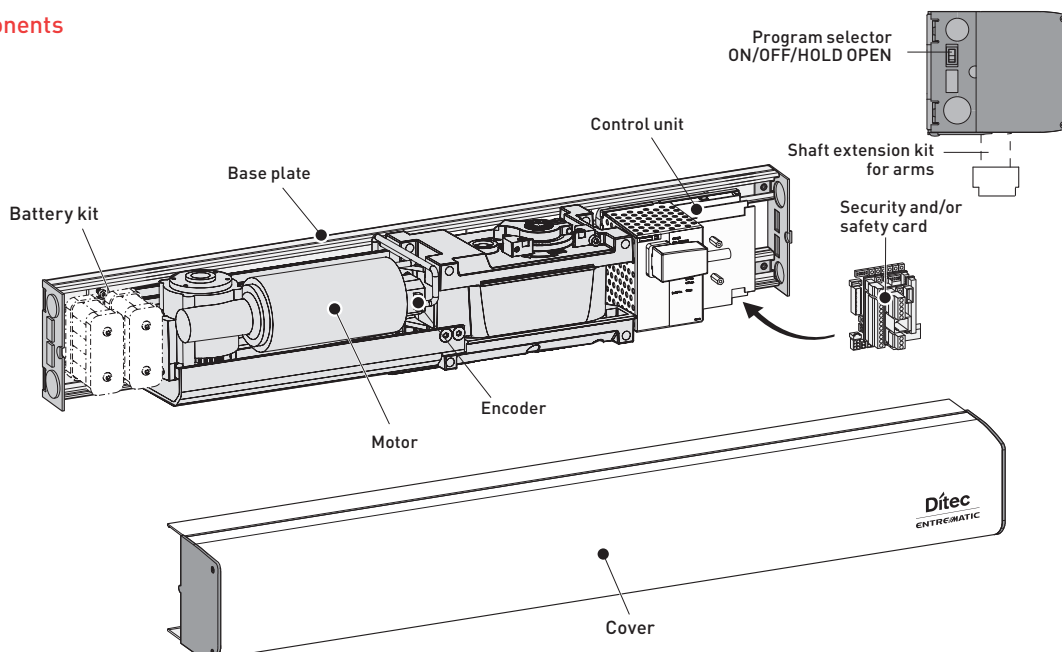
- Several operating modes to match different demands (PUSH&GO, power assist, key impulse)
- LOW ENERGY mode and battery kit available
- Convenient operator control via sensors, switch, program and key selectors
- Ditec DAB105 has obtained SP SITAC and Exova Warrington Test Report certification for use on fire doors. For more details, contact our Technical Sales Office

## Main features

Type of operation	motor opening, spring and motor closing
Kinematic management	encoder
Maximum capacity (see operation diagram)	200 kg
Duration test	1,000,000 door cycles
Protection rating	IP 20
Electrical protection	class I
Operating temperature	-20°C / +45°C
Opening time	3 ÷ 6 s/(0-80°) (adjustable)
Closing time	3 ÷ 6 s/(90°-10°) (adjustable)
Door open pause time	1,5 ÷ 30 s
Product dimensions (mm)	111x131x720
Product weight	13.9 kg



## Main components



# Accessories and much more

## Movement arms

- DAB805PSA: arm with articulated motion
- DAB805PSAF: arm with articulated motion, for fire-door applications
- DAB805PLAT: arm with three-sections articulated motion for doors that open inward; automation seen from the side
- DAB805PLA –PLAB: arm with sliding motion. PLAB is for anti-panic breakout systems

DAB805PSA



DAB805PSAF



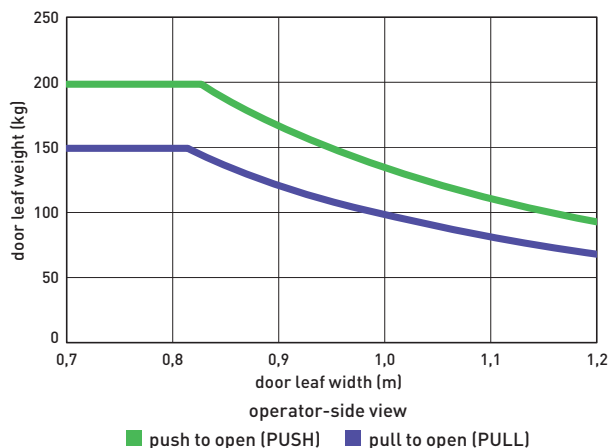
DAB805PLAT



DAB805PLA –PLAB



## Operation diagram



## Specific accessories

- DAB905BAT: battery kit
- COM400MHB: mechanical switch program selector
- COM400MKB: mechanical key program selector
- DAB905ESE: extension unit for security
- DAB905ESA: extension unit for safety
- DAB905SYN: synchronism cable

## Certifications

**MD**  
Machine Directive

**EMCD**  
Compatibility Directive  
Electromagnetic

**LVD**  
Low Voltage Directive

**EN 16005**  
User Safety Standard

**FIRE-  
RESISTANCE  
CERTIFICATION**

When building the system, only use Ditec accessories and safety devices.

Every Ditec automation features CE marking and is designed and built in compliance with the safety requirements of the Machinery Directive (2006/42/EC), of the Electromagnetic Compatibility Directive (2004/108/EC) and of the Low Voltage Directive (2006/95/EC) and of other Directives, laws, specific standards for special products and situations.

The Company reserves the right to make changes which may improve the products.

For this reason, the technical details given are not binding.

Pictures were taken with the consent of those concerned or in public locations.

Further information can be found in the Technical Manuals available at the website: [www.ditecentrematic.com](http://www.ditecentrematic.com)

**ENTRE//MATIC**



### Entrematic Italy S.p.A.

Via Mons. Banfi, 3 • 21042 Caronno P.lla (VA) • Italy

Tel +39 02 963911 • Fax: +39 02 9650314

[ditec@entrematic.com](mailto:ditec@entrematic.com)

[www.ditecentrematic.com](http://www.ditecentrematic.com) • [www.entrematic.com](http://www.entrematic.com)

Cod. P209B - 10/2015  
Ditec DAB105

gdp milano 148965

Ditec branches are in: France, Germany, Portugal, Spain, Turkey, USA and Canada.  
For addresses and contacts visit our website [www.ditecentrematic.com](http://www.ditecentrematic.com)

